

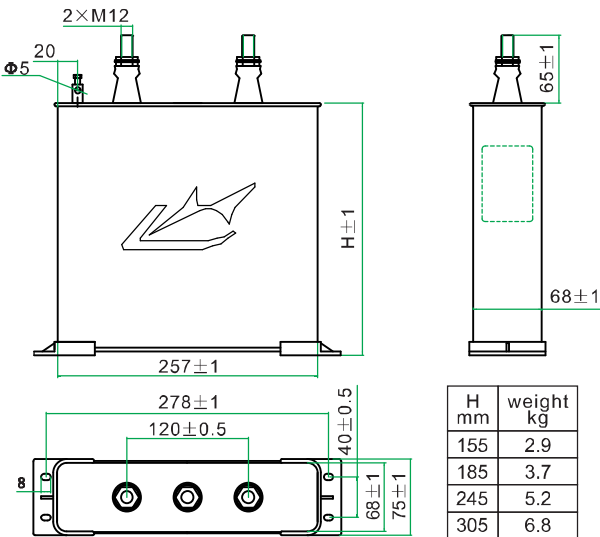
产品特性 Introduction

- ◆ 矩形马口铁外壳;
Rectangular sheet shell;
- ◆ 干式结构, 无污染、无爆炸危险;
Dry structure, no pollution and explosion hazard;
- ◆ 内设放电电阻和过压力防爆装置;
Internal discharge resistance and over pressure explosion-proof device;
- ◆ 可承较大过电流;
It can bear large over current;
- ◆ 可靠性高、寿命长;
High reliability and life expectancy;
- ◆ 具有自愈性;
With self-healing;
- ◆ 非极性介质。
Non-polar.

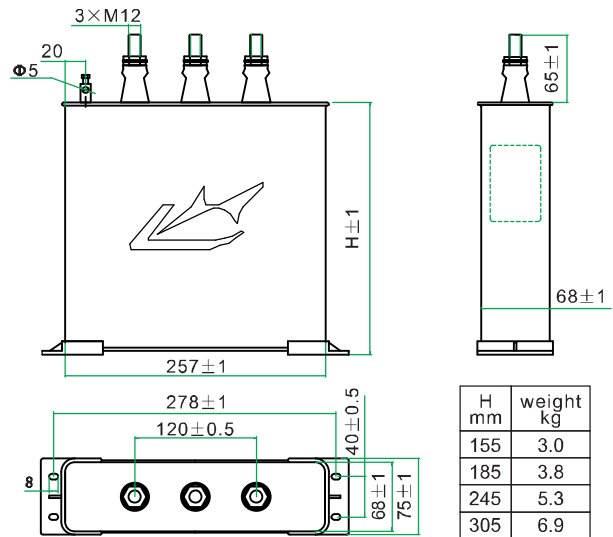
应用领域 Applications

- ◆ 广泛应用于电力电子设备中, 做交流滤波用。
Widely used in power electronic equipment for AC filtering.
- ◆ 用于大功率非线性负荷如变频器、变频器等转换器以及电气传动、焊机、备用电源等谐波含量较高的供电系统中, 滤除高次谐波、改善电网电压质量。
It is used in high-power non-linear load such as converter, frequency converter and other converters, as well as power supply system with high harmonic content such as electric drive, welding machine, standby power supply, etc., to filter out high-order harmonic and improve power grid voltage quality.
- ◆ 与电感、电阻等其他器件连接在一起, 组成交流滤波器。
It is connected with inductance, resistance and other devices to form an AC filter.
- ◆ 对一种或多种谐波电流提供低阻抗通道, 并提高功率因数。
Provide low impedance channel for one or more harmonic currents and improve power factor.

外形图 Outline Drawing



单相产品外形图



三相产品外形图



技术参数 Paramater

额定电压	U_N	450Vac ~ 1500Vac
容量	C_N	See table of specifications
极间耐压	U_{t-t}	$2.15U_N$ ($25^\circ\text{C} \pm 5^\circ\text{C}$ 、3s)
极壳耐压	U_{t-c}	4000Vac 3s (额定电压 $\leq 650\text{V}$)、6000Vac 3s (额定电压 $> 650\text{V}$)
容量允许偏差	Capacitor tolerance	0% ~ +2%;
损耗角正切值	$\tan \delta$ 0.0020 (100Hz)	0.0020 (100Hz)
过电流	Over current	$1.3 \times I_N$
浪涌电流	I_s	$200 \times I_N$
环境温度、湿度	Environmental Science	$-40/\text{A}$ 、 $\leq 90\%$
引出方式	Extraction	M12螺柱 (扭矩 $\leq 12\text{N} \cdot \text{M}$) M12 stud (Torque $\leq 12\text{N} \cdot \text{M}$)
安装方式	Installation	产品垂直向上安装、安装间距 $\geq 30\text{mm}$ Product vertical upward installation, installation distance $\geq 30\text{mm}$
冷却方式	Cooling	自然冷却或强制冷却(安装柜体和配电房间要有充分的通风、必要时安装制冷设备) Natural cooling or forced cooling (adequate ventilation shall be provided for the installation of cabinet and distribution room, and refrigeration equipment shall be installed if necessary)
海拔高度	Altitude	$\leq 2000\text{m}$
预期寿命	Life expectancy	50 000h (U_N 、 $\Delta C/C \leq \pm 3\%$)
参考标准	Reference standards	IEC 60831、GB/T 12747

选型表 Specifications table 三相产品规格表 Three-phase table

U_N Vac	Q_N kvar	C_N μF	I_N A	Part No.
450	5	78.63	6.41	A0450A00005k2D10409
450	10	157.27	12.83	A0450A00010k2D10409
450	15	235.90	19.24	A0450A00015k2D10409
450	20	314.54	25.66	A0450A00020k2D10409
450	25	393.17	32.07	A0450A00025k2D10409
450	30	471.81	38.49	A0450A00030k2D10409
480	15	207.34	18.04	A0480A00015k2D10409
480	18.8	259.86	22.61	A0480A018D8k2D10409
480	20	276.45	24.06	A0480A00020k2D10409
480	20.95	289.58	25.20	A0480A20D95k2D10409
480	25	345.56	30.07	A0480A00025k2D10409
480	30	414.68	36.08	A0480A00030k2D10409
480	35	483.79	42.10	A0480A00035k2D10409
480	40	552.90	48.11	A0480A00040k2D10409
500	20	254.78	23.09	A0500A00020k2D10409
500	25	318.47	28.87	A0500A00025k2D10409
500	26.7	340.13	30.83	A0500A26D70k2D10409
500	30	382.17	34.64	A0500A00030k2D10409
500	33.5	426.75	38.68	A0500A33D50k2D10409

选型表 Specifications table 单相产品规格表 Single-phase table

U_N Vac	C_N μF	I_N A
450	66 ~ 600	$2 \pi f \times C_N \times U_N \div 10^6$
500	66 ~ 600	
550	60 ~ 400	
650	47 ~ 280	
750	33 ~ 160	
850	33 ~ 160	
950	22 ~ 124	
1000	22 ~ 124	
1300	12 ~ 70	
1500	10 ~ 50	

注：以上规格，均可按客户要求定制。

The above specifications can be customized according to customer requirements.