

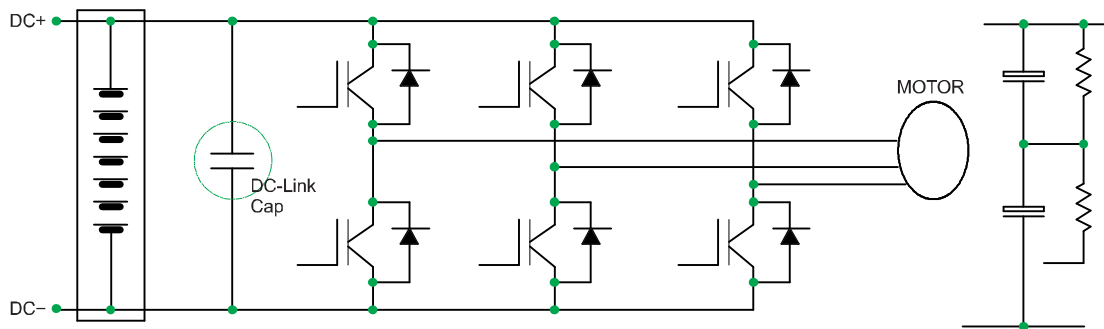
产品特点 Introduction

- ◆ 具有自愈性，寿命长；
Self-healing, long life ;
- ◆ 干式封装；
Dry packaging ;
- ◆ 采用叠层母排引出载流能力强，自感小，比能高；
Laminated bus leads , It can pass through a large current ,
Low Ls , High specific energy ;
- ◆ 内阻小，发热低，应用温度范围广；
Low Rs, low heating, wide application temperature range;
- ◆ 可按用户需求定制。
Can be customized according to user's needs.

应用领域 Applications

- ◆ 交通工具，如纯电动汽车，混合动力汽车；
Transportation , EV or HEV ;
- ◆ 应用于新能源汽车的电驱动系统。
Applied to the electric drive system of new energy vehicle.

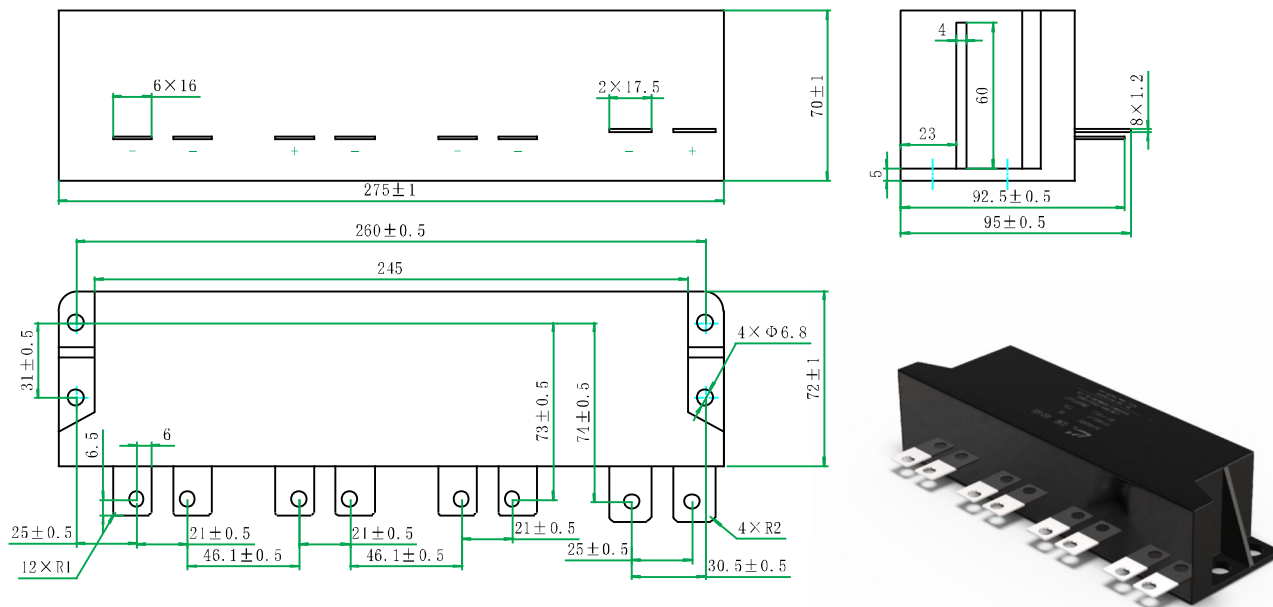
新能源汽车电机驱动系统电路拓扑图 Circuit Topology Diagram of Motor Drive System



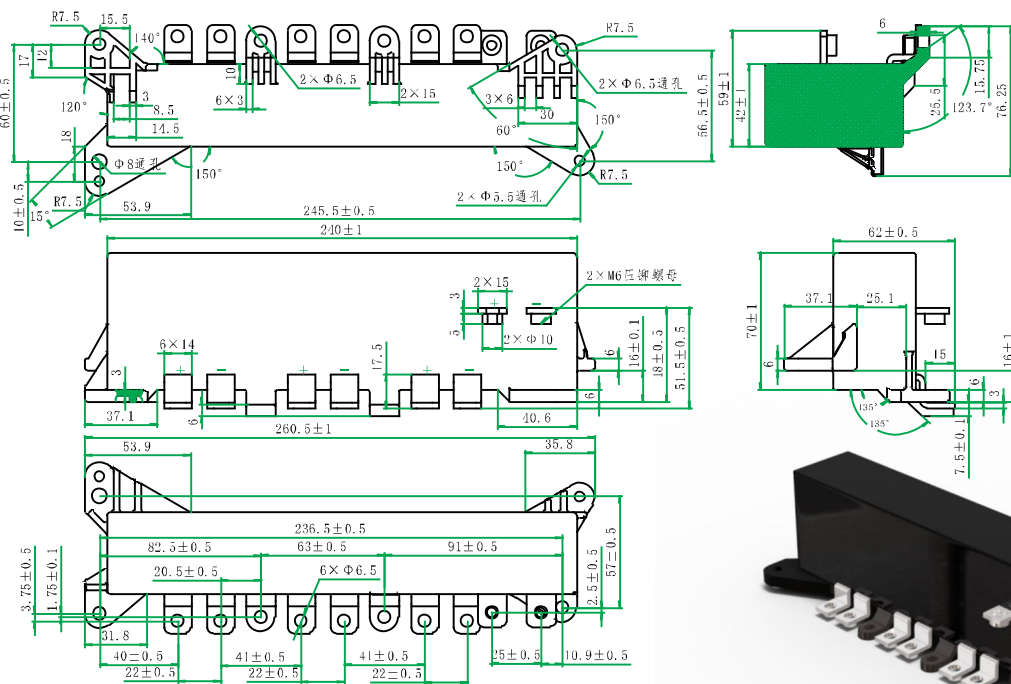
技术参数 Parameter

技术标准	Reference Standards	IEC61071、IEC60068、AEC-Q200 REV D June 1, 2010
额定电容量	Capacitance and Tolerance	225 μ F~3000 μ F、 $\pm 10\%$
额定电压	Rated Voltage	450Vd.c.~900Vd.c.
损耗角正切	Tan δ	$\leq 10 \times 10^{-4}$ (100Hz, 25 $^{\circ}$ C)
绝缘电阻	Insulation resistance	$\geq 10000s$ (500V, 25 $^{\circ}$ C)
热点温度最大值	Hot spot	105 $^{\circ}$ C
极间电压测试	Test Voltage between terminals	1.5U _{NDC} (10s)
极壳电压测试	Test Voltage terminals to case	3000Va.c. (10s)
冷却方式	Cooling type	自然冷却 Nature
运行温度	Operating temperature	-40 $^{\circ}$ C~+105 $^{\circ}$ C
存储环境温度	Storage temperature	-40 $^{\circ}$ C~+105 $^{\circ}$ C
湿度	Humidity	$\leq 95\%$
海拔	Altitude	$\leq 2000m$
外壳材料	Case material	PC/PPS
封装形式	Package	Dry
阻燃等级	Flame retardant grade	UL94 V-0
电气间隙	Clearences	7~10mm
爬电距离	Creepage distance	7~10mm
预期寿命	Life expectancy	50 000 h (U _N , 85 $^{\circ}$ C、 $\Delta C/C \leq 3\%$)
失效率	Failure Rate	50FIT

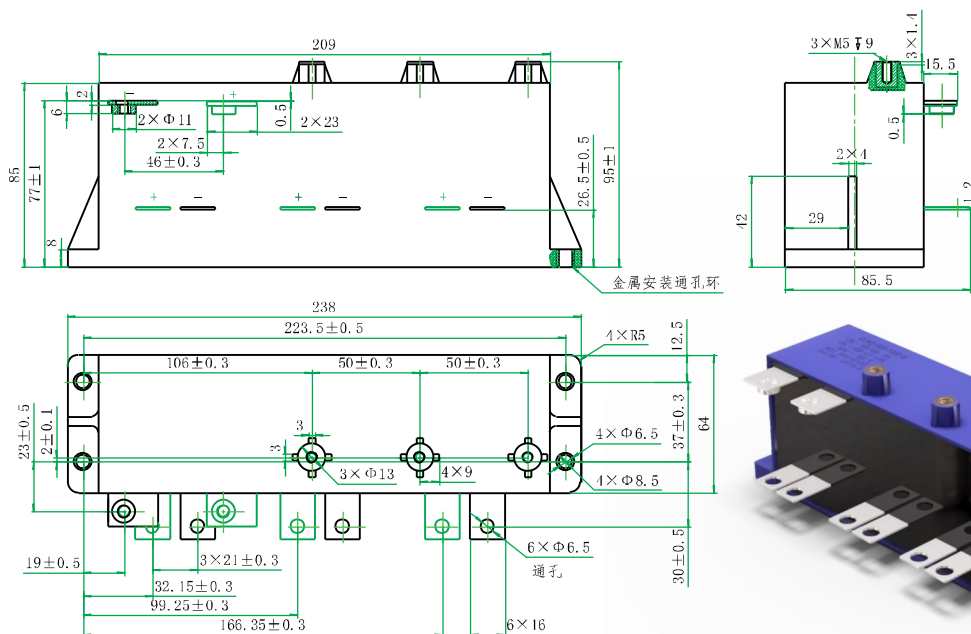
外形图 Outline Drawing



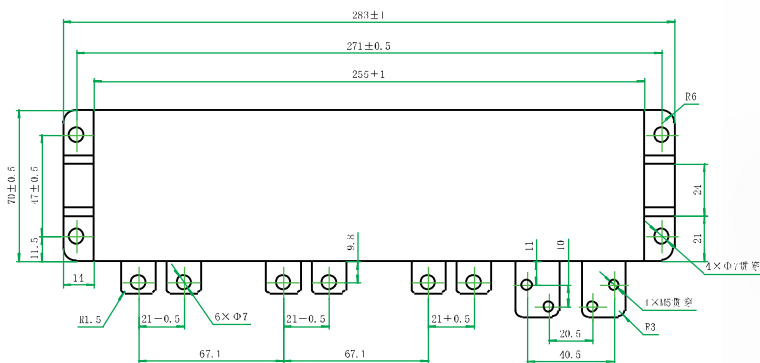
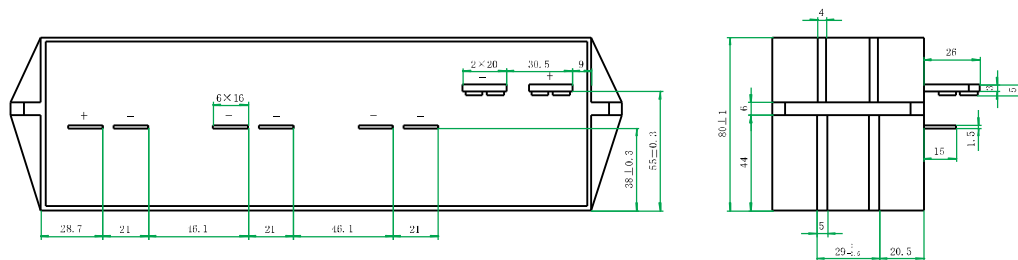
□ Fig1



□ Fig2

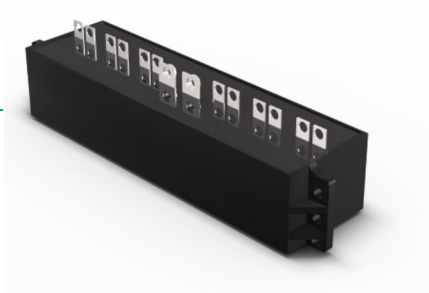
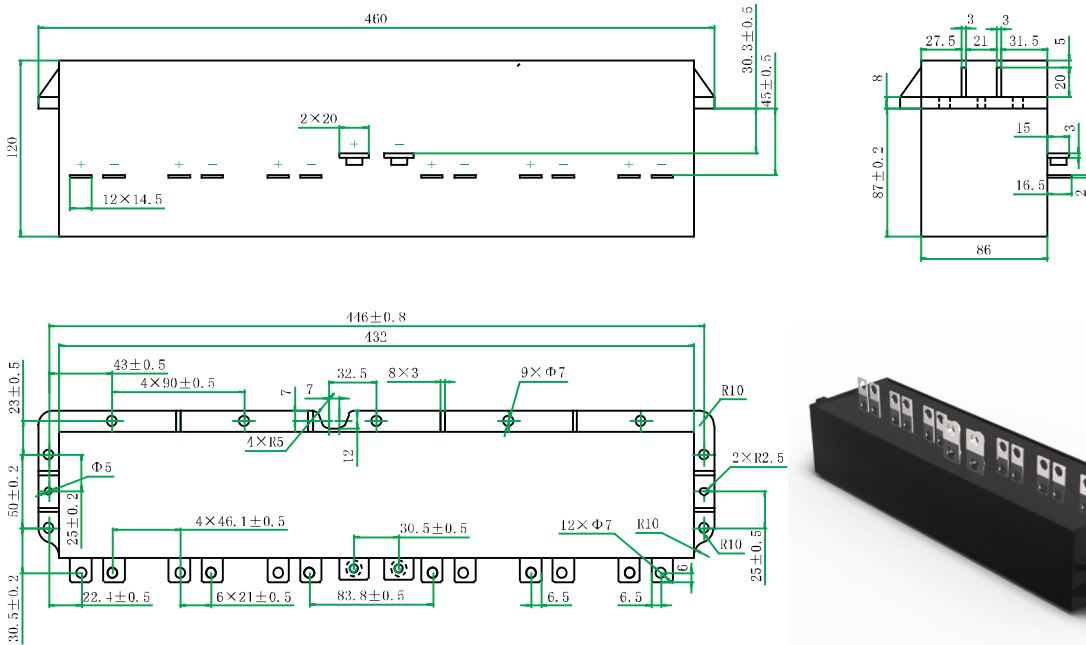


□ Fig3

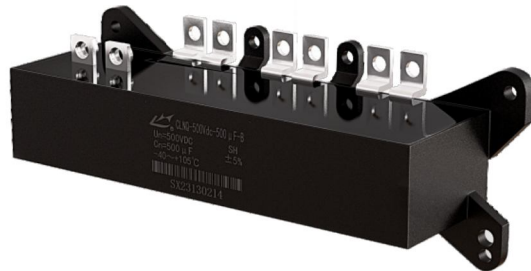
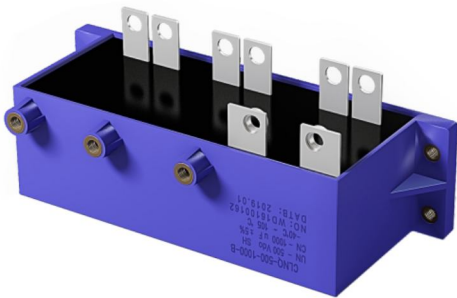


□ Fig4

外形图 Outline Drawing



□ Fig5



选型表 Specifications table

U_{NDC} V	C_N μF	I_{max} A 10kHz	\hat{i} kA	\hat{i}_s kA	ESR m Ω 10kHz	ESL nH 1MHz	R_{TH} K/W	Specific energy J/cm ³	Weight kg	Form factor	Part No.
500	600	120	2.4	4.8	0.6	25	1.7	0.094	1.20	140 × 65 × 72	Q0500D00600uJN2CC29
500	750	180	3.6	7.2	0.5	25	0.9	0.095	1.70	200 × 60 × 82	Q0500D00750uJN2C229
500	500	140	2.8	5.6	0.45	20	1.7	0.089	1.35	240 × 70 × 42	Q0500D00500uJN2C829
500	1000	200	4.0	8.0	0.25	25	1.5	0.101	2.05	245 × 70 × 72	Q0500D01000uJN2C329
500	1000	175	3.5	7.0	0.3	20	1.6	0.101	2.10	314 × 72 × 55	Q0500D01000uJN2C429
500	1000	150	3.0	6.0	0.35	20	1.9	0.110	1.80	209 × 85 × 64	Q0500D01000uJN2C629
550	750	180	3.6	7.2	0.5	25	0.9	0.115	1.70	200 × 60 × 82	Q0550D00750uJN2C229
550	800	140	2.8	5.6	0.4	25	1.9	0.110	1.75	207 × 76 × 70	Q0550D00800uJN2CF29
550	1000	250	5.0	10.0	0.2	20	1.2	0.106	2.40	209 × 82 × 85	Q0550D01000uJN2C529
550	1000	200	4.0	8.0	0.25	25	1.5	0.122	2.05	245 × 70 × 72	Q0550D01000uJN2C329
550	1250	180	3.6	7.2	0.35	20/15	1.1	0.130	2.45	255 × 80 × 70	Q0550D01250uJN2C729
550	1500	230	4.6	9.2	0.25	16	1.1	0.128	2.90	183 × 120 × 81	Q0550D01500uJN2CD29
550	3000	350	7.0	14.0	0.1	20	1.2	0.102	6.70	432 × 120 × 86	Q0550D03000uJN2CE29
700	800	200	4.0	8.0	0.3	20	1.3	0.137	2.40	255 × 80 × 70	Q0700D00800uJN2C529
700	950	180	3.6	7.2	0.3	20/15	1.5	0.160	2.45	209 × 82 × 85	Q0700D00950uJN2C729
800	280	80	1.6	3.2	0.8	25	2.9	0.113	1.20	140 × 65 × 72	Q0800D00280uJN2CC29
800	550	100	2.0	4.0	0.6	20	2.5	0.155	1.80	209 × 85 × 64	Q0800D00550uJN2C629
800	550	200	4.0	8.0	0.3	20	1.3	0.123	2.40	255 × 80 × 70	Q0800D00550uJN2C529
800	800	170	3.4	6.8	0.3	20/15	1.7	0.176	2.45	209 × 82 × 85	Q0800D00800uJN2C529
800	800	220	4.4	8.8	0.3	20	1	0.179	2.40	255 × 80 × 70	Q0800D00800uJN2C729
800	800	200	4.0	8.0	0.3	20	1.3	0.179	2.40	255 × 80 × 70	Q0800D00800uJN2C529
800	840	180	3.6	7.2	0.4	16	1.2	0.151	2.90	183 × 120 × 81	Q0800D00840uJN2C529
800	950	180	3.6	7.2	0.3	20/15	1.5	0.209	2.45	209 × 82 × 85	Q0800D00950uJN2C729
800	1000	190	3.8	7.6	0.3	16	1.4	0.180	2.90	183 × 120 × 81	Q0800D01000uJN2CD29
800	1800	245	4.9	9.8	0.1	20	2.5	0.129	6.70	432 × 120 × 86	Q0800D01800uJN2CE29
800	2250	300	6.0	12.0	0.1	20	1.7	0.161	6.70	432 × 120 × 86	Q0800D02250uJN2CE29
900	225	70	1.4	2.8	1.1	25	2.8	0.115	1.20	140 × 65 × 72	Q0900D00225uJN2C229
900	420	90	1.8	3.6	0.5	20	3.7	0.150	1.80	209 × 85 × 64	Q0900D00420uJN2C629
900	450	160	3.2	6.4	0.4	16	1.7	0.128	2.40	255 × 80 × 70	Q0900D00450uJN2C529
900	600	150	3.0	6.0	0.3	16	2.2	0.137	2.90	183 × 120 × 81	Q0900D00600uJN2CD29
900	1800	245	4.9	9.8	0.1	20	2.5	0.164	6.70	432 × 120 × 86	Q0900D01800uJN2CE29

注：1、以上参数仅作参考，以实际规格书为准；
2、所有规格，均按客户要求定制。

1、The above parameters for reference only, see the specification for details.
2、Customized products are available upon request.

电压选型 Voltage selection

电动汽车高压系统Vd.c. High Voltage System of Electric Vehicle	288	317	346	400	546
母线电容电压Vd.c. Bus capacitor voltage	450	450 500	550 600	600 700 800	800 900